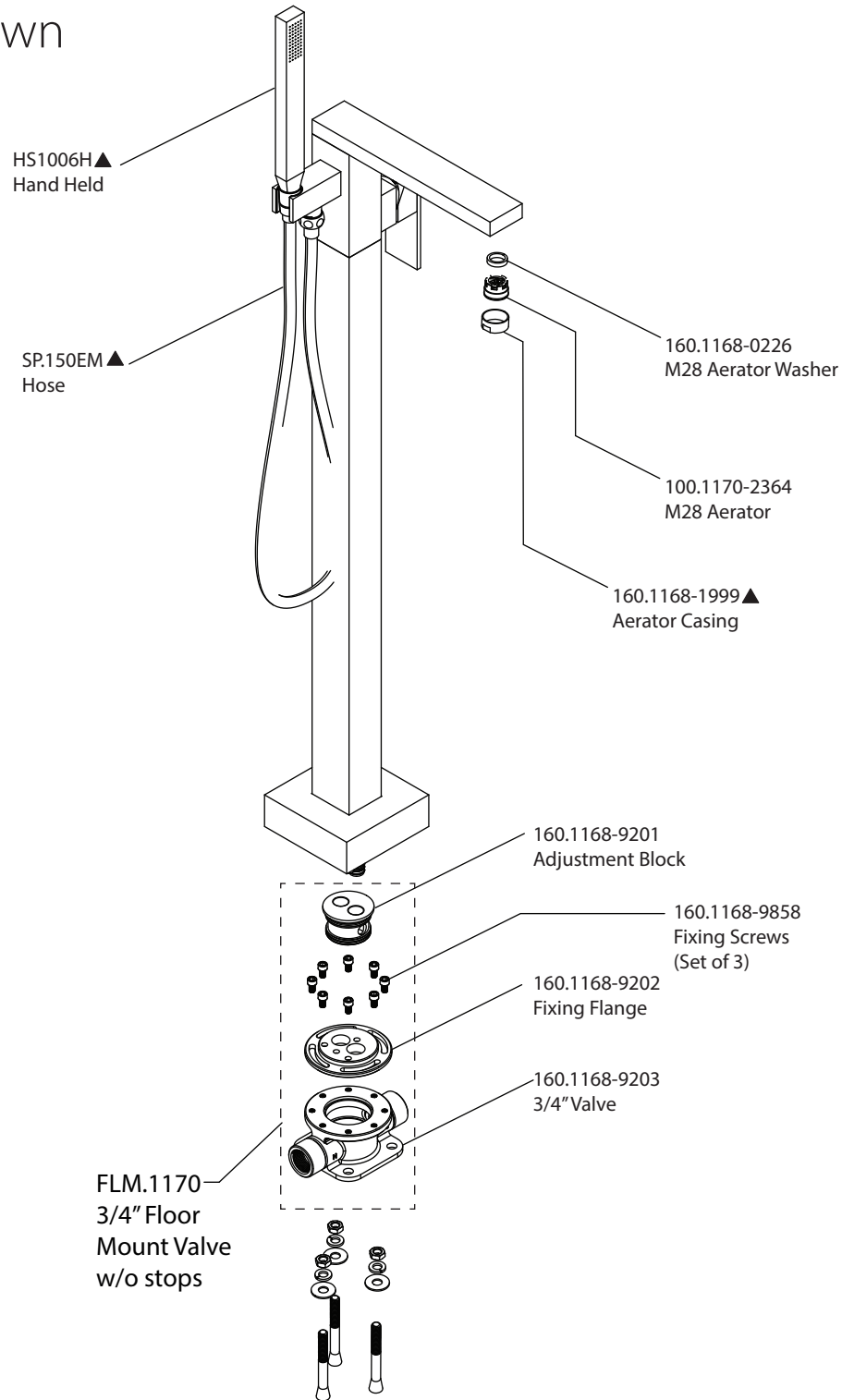


# Product Parts Breakdown

(3/4" Version) Page 1 of 2

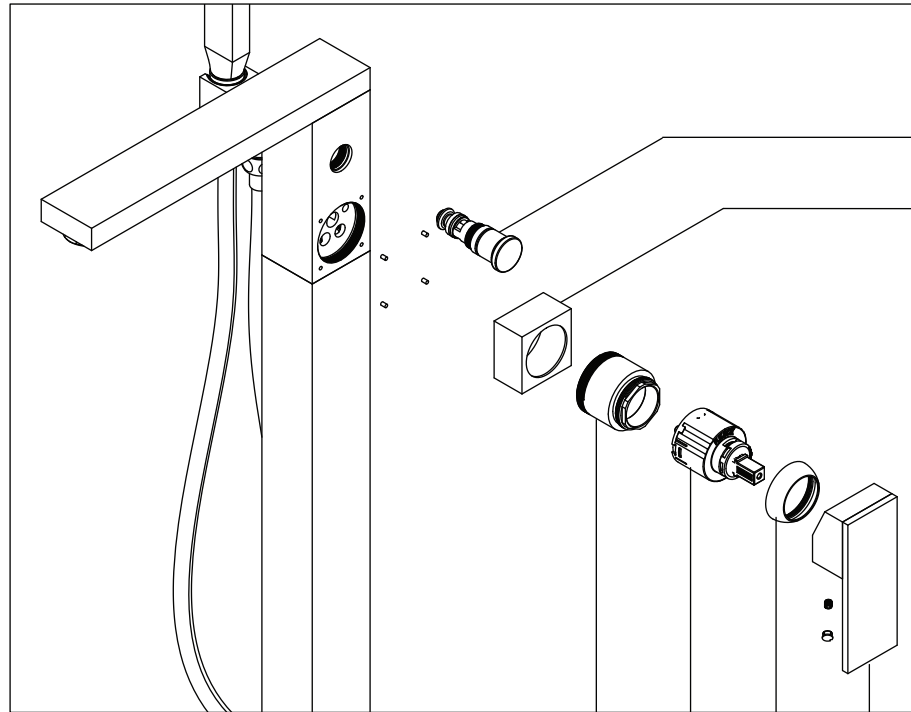


**isenberg**  
innovation+design

160.1168

# Product Parts Breakdown

(3/4" Version) Page 1 of 2



100.1170-1991▲  
Push - Pull  
Diverter Assembly

160.1168-9205▲  
Cartridge Cover

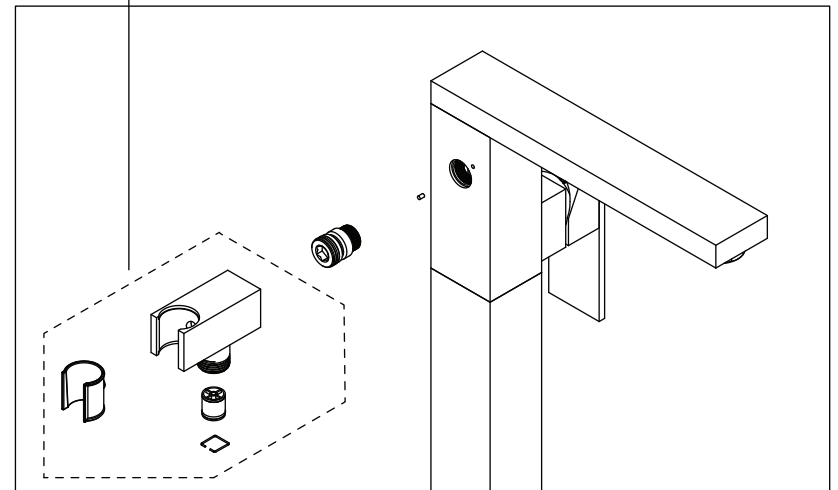
160.1168-2853▲  
Hand shower holder  
Unit with flow restrictor  
and back flow prevention

160.1168-9852  
Retaining Nut

100.1170-9853  
Cartridge

160.1168-9851▲  
Cartridge Bezel

160.1168-2352▲  
Handle w/ 2.5mm Hex  
& Button



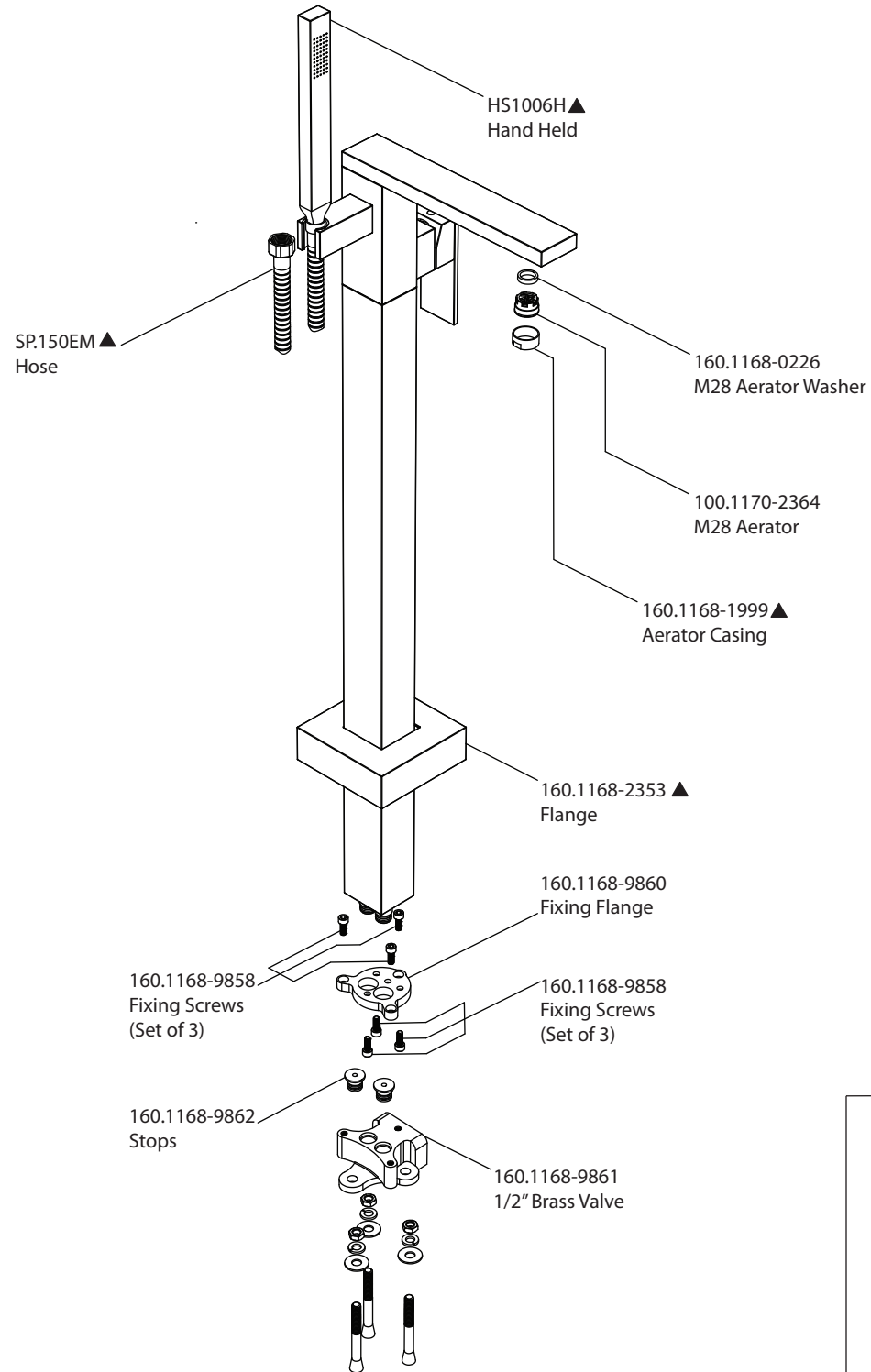
**isenberg**  
innovation+design

160.1168

Ver 2.56

# Product Parts Breakdown

(1/2" Version) Page 1 of 2

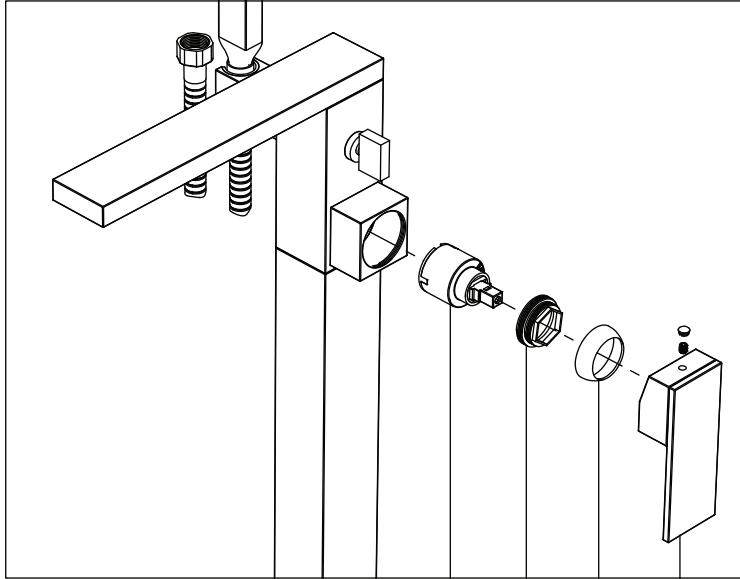


**isenberg**  
innovation+design

160.1168

# Product Parts Breakdown

(1/2" Version) Page 2 of 2



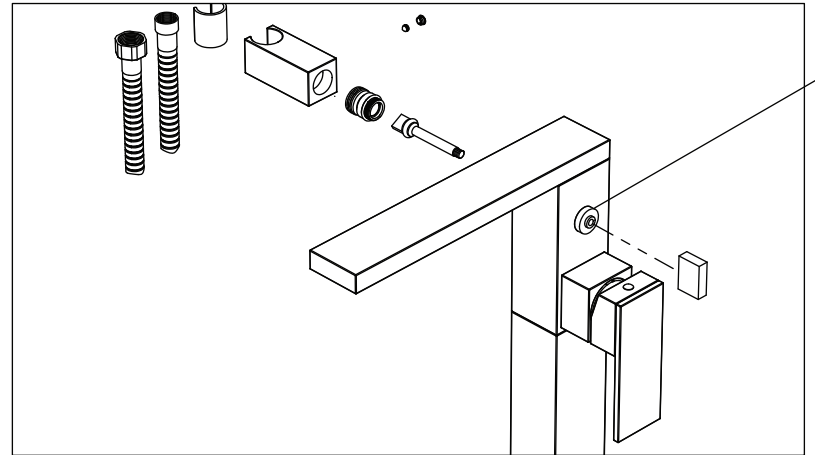
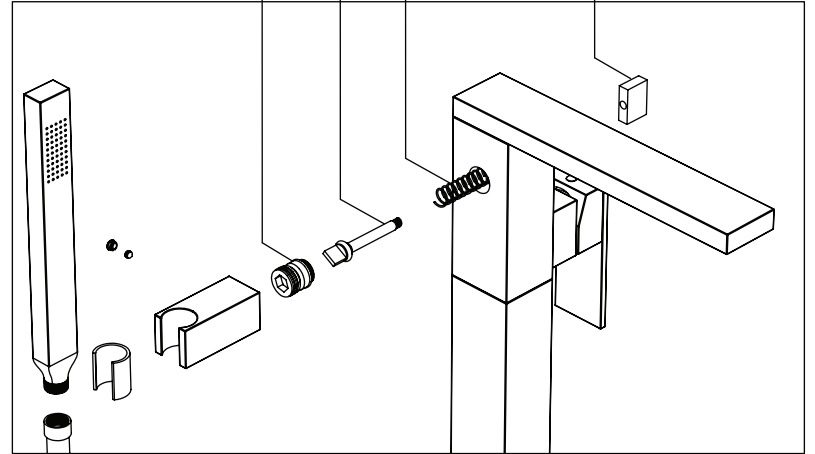
100.1170-9853  
Cartridge

160.1168-9852  
Retaining Nut

160.1168-9851 ▲  
Cartridge Bezel

160.1168-2352 ▲  
Handle w/ 2.5mm Hex  
& Button

160.1168-1991 ▲  
Push - Pull  
Diverter Assembly



**isenberg**  
innovation+design

160.1168

Ver 2.56